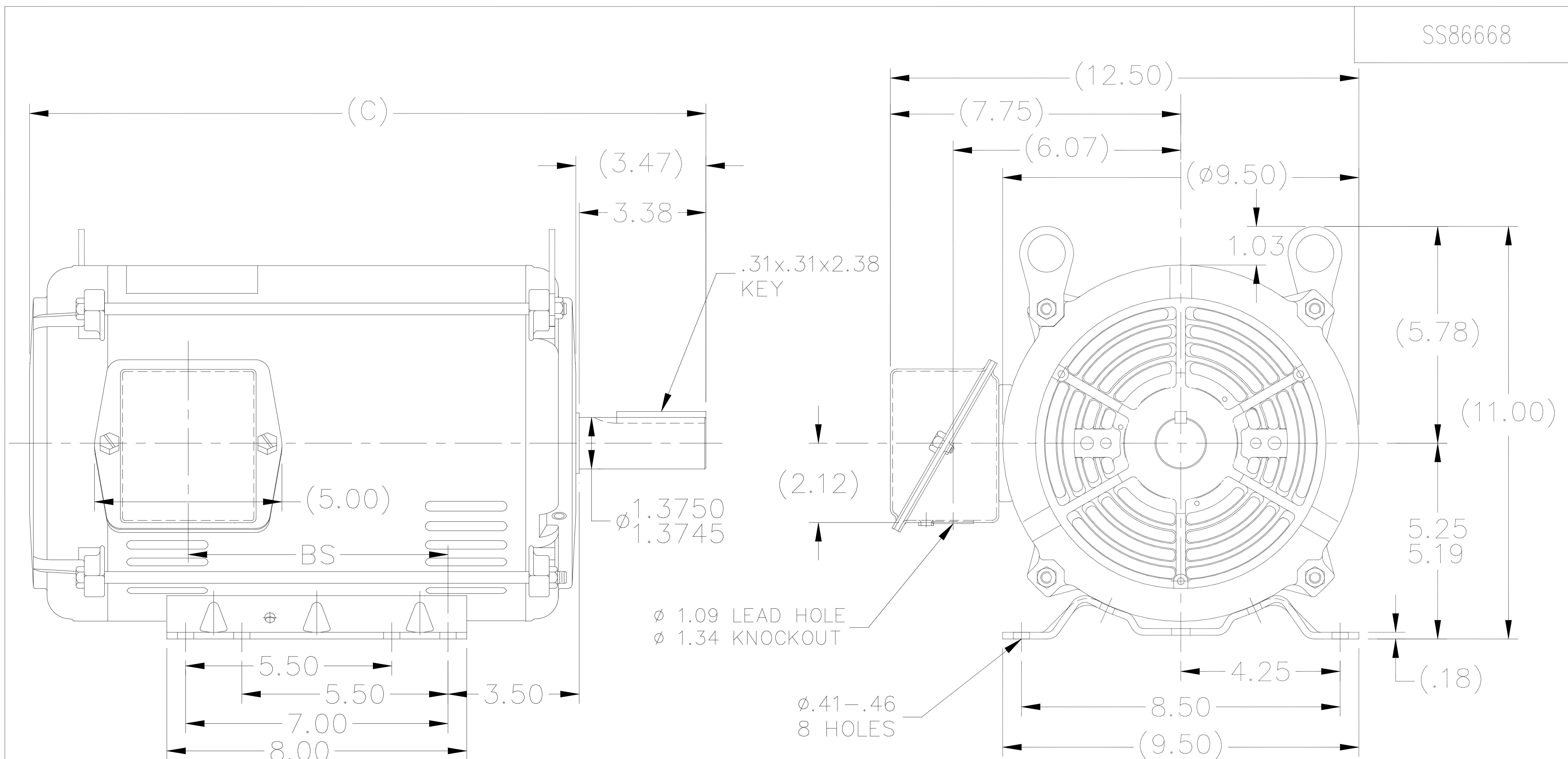


SS86668



DASH	FR.	C	BS	MOUNTING
965	213T	16.54	5.43	
1115	213/15T	18.04	6.93	
1240	213/15T	19.29	8.18	F1 ONLY
1545	215T	22.34	11.23	F1 ONLY

- NOTES:
1. NAMEPLATE TO BE READ FROM C'BOX SIDE OF MOTOR.
 2. BOX CAN BE MOUNTED IN 90° STEPS.
 3. BOX CAN BE MOUNTED ON OPPOSITE SIDE BY REMOVING BRACKETS AND TURNING FRAME 180°. (EXCEPT AS NOTED.)

06-22-2004

			TOLERANCES UNLESS SPECIFIED		REGAL ™ Regal Beloit America, Inc.	DRAWN MRB 04-03-1997				
			DEC.	INCHES		CHK	ML	04-04-1997		
			.X	±.1		APPD	GK	04-04-1997		
3	TITLE BLOCK CHANGE PER ECO-0078542	MDV 06/09/2015	.XX	±.03	TITLE OUTLINE	SCALE		1=4		
2	UPDATED C'BOX GEOMETRY CN 28425	BJW 03-24-2000	.XXX	±.005	210T FR. - BB - TS - DR.PR.	REF				
1	NEW DRAWING	MRB 04-04-1997	.XXXX	±.0005	MAT'L.	FMF				
NO.	REVISION	BY & DATE	CHK	ANG	±7'30"	FINISH		PREV		
THIS DRAWING IN DESIGN AND DETAIL IS OUR PROPERTY AND MUST NOT BE USED EXCEPT IN CONNECTION WITH OUR WORK ALL RIGHTS OF DESIGN AND INVENTION ARE RESERVED THIS IS AN ELECTRONICALLY GENERATED DOCUMENT - DO NOT SCALE THIS PRINT			RFP	CAD FILE SS86668		SIZE	DRAWING NO.	PAGE	OF	REV.
			DIST	LB		A	SS86668			3